

TDOT

POWERFULLY REIMAGINED



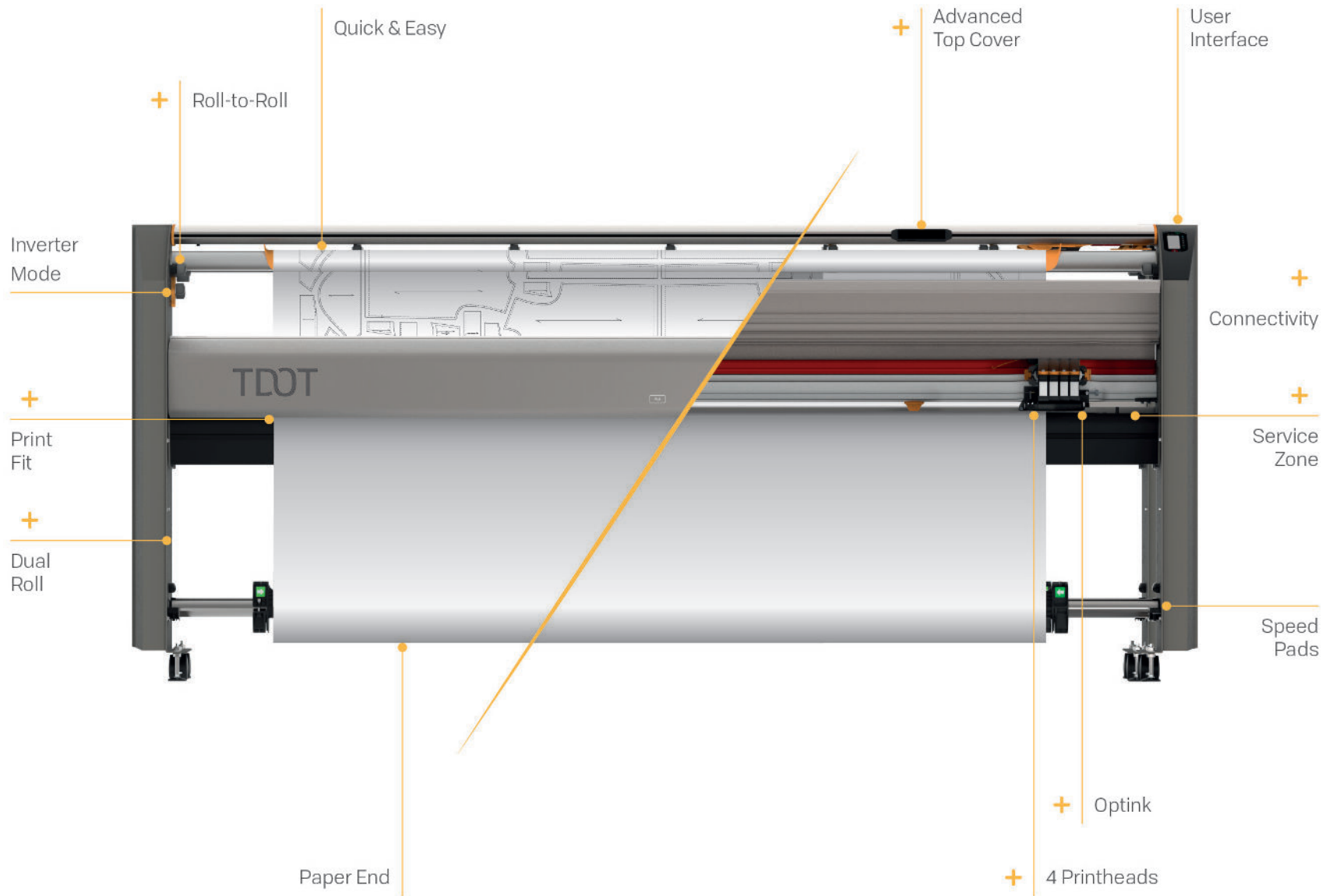
Great things happen when thinking outside the box. More brain. More power happens when thinking beyond. That is exactly what our engineers and designers do, working with passion in creative development. Going further than conceived, better than permitted and wider than imagined, allowing their senses to feel and their creativity to rise.

We have developed a disruptive concept of plotter focusing our attention and efforts on creating value, bringing it to the next level, adding innovative concepts and more to come, breaking the establishment.

That way of braining confers an added value and a personal touch to everything we develop and create, making it distinctively special for everyone we work with.

Only by mixing these elements the TDOT comes to live and only then you realize the bigness of the TDOT and its innovative future that will change the paradigm of plotting.

TDOT, value beyond printing.



MAIN FUNCTIONS



Contactless built-in functions

Install the new options on a simple way simply by fleeting the relevant card through the reader, skipping difficult upgrades and complex uploads and start using the new features in a fraction of time.



Software

Adapting the new features to the new era modernizing operatives and improving the costumer experience. Get to know the multiuse and multiplotter functions as well as the total control over the printing prevision list.



Paper End

Manage paper rolls at its best. Optimize media and time smartly.



Speed Pads

Optimize printing output in any media. The easiest way to increase throughput.



User Interface

User-friendly visual menu, easy to use, visual instructions and notifications. Interact easily with all the menus and functions, select the modes and upgrade the new options and functions by a simple tap.



Inverter Mode

Gives the chance to invert the spinning direction of the collector bar allowing to decide where to roll the print, on the visible side or on the contrary facing the inner side of the paper roll protecting the pattern.



Quick & Easy

Print-to-print in seconds. Remove the printed roll in two simple steps without fully removing the collector bar from the TDOT, save time and moves with this innovative mechanism and start printing again within a few seconds.



DPM (Direct Print Modes)

Print as you wish. Several choices; resolution, speed and much more according to your needs.

+ OPTIONS



Optink

Inkjet trouble-free. Change and manage all inks optimizing its usage and application. Eliminate downtimes and service, boosting productivity and efficiency for the cutting room operators 1. Unbeaten options with state-of-the-art original HP technology.



Advanced Top Cover

Cut & Go. Automatic cut controlled by a Dynamic Keypad permitting to organize your tasks better than ever.



Roll-to-Roll

For long-lasting printing markers and over-night printing works. Nonstop printing for longer printouts.



4 Printheads

Printing unlimited. Productivity, quality and flexibility beyond standards. Pure more brain, more power 1.

- 1 Ask TKT team for more information.
- 2 Compatible with most popular cad.



Service Zone

All-in-one station. Technician-free HP stand-alone inkjet technology that keeps your production going. Unique world wide industrial solution for trouble-free printing heads. Patented solution for easy & durable service.



Connectivity

Integrate TDOT on your network. Multiple connectivity modes for easier and faster setup.



Print Fit

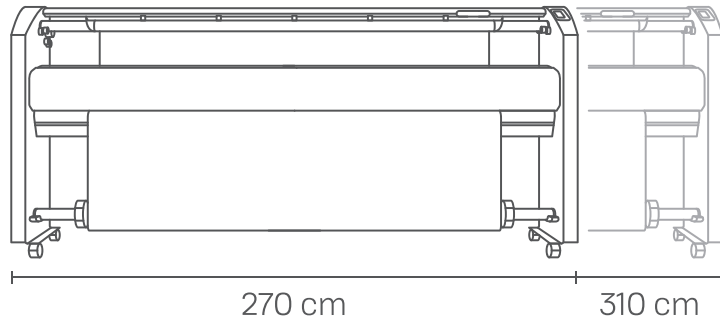
Avoid failed printouts. Optimizing media, ink and time. Setting up multiple media managed at its best.



Dual Roll

Keep different widths or paper types on hold to be used for future production while UWP is already printing from the main bar. Use it as a safe place or storage for paper rolls or as a second printing media type.

TECHNICAL DATASHEET



Power consumption

70W +

Interface

USB, Wifi & Lan

Power supply

85 / 264 V auto switch

Low noise level

< 40 dB

Inkjet heads

HP 2 / 4

Inkjet technology

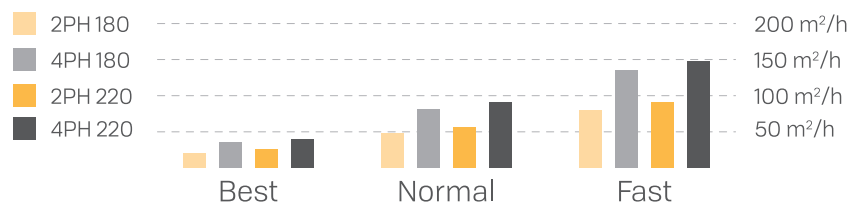
HP 45 or compatible

Paper


Starting at 20 g / m²


File formats accepted

HPGL / ISO / TKT



TKT brain
power
more brain. more power

 +34 902 12 12 21

 08700 Igualada, Barcelona

 info@tktbrainpower.com

 www.tktbrainpower.com



All logos, brands, descriptions, etc. if not property of TKT Brain Power, are property of their respective owners. Some systems are "Patent Pending" protected. Protection rights and remedies for violation vary by country. Any violation of our rights will be prosecuted in accordance with the laws of the country concerned. This document is not a contract and does not create any contractual right or obligations. Technical specifications are valid as of date hereof, but may change without notice.

TkT Brain Power is fully committed to planet sustainability. All designs, components and the Machine4trees program focus on this commitment and reflect a vital part of our identity.

MADE IN BARCELONA